

RADIANT MOBILE

# RADIANT MOBILE

MODEL NO JPSRM-01

Hand-poured, rippled glass crystal puddles suspended on custom-machined hardware and rigid, linear structure, illuminated by integrated, refracting light

## AS SHOWN (IN PHOTO)

6 glass pieces, 3 tiers - approx. dimensions 60"W x 60"D x 31"H  
Glass - clear crystal with iridescence  
Metal - oil rubbed blackened steel

## DIMENSIONS

*Available in four sizes:*

4 glass pieces, 2 tiers - approx. dimensions 48"W x 48"D x 18"H  
4 glass pieces, 2 tiers - approx. dimensions 72"W x 36"D x 18"H  
6 glass pieces, 3 tiers - approx. dimensions 60"W x 60"D x 31"H  
6 glass pieces, 3 tiers - approx. dimensions 84"W x 48"D x 31"H

Glass - large approx. 12.5"W x 11.5"D x .75"H  
small approx. 11"W x 10"D x .75"H

*Glass dimensions may vary slightly due to hand-poured process*

## ELECTRICAL

Integrated LED  
2700K, 2W per glass, 50,000hrs average life  
Driver onboard  
120-277VAC universal input  
Dimmable: Triac, ELV, 0-10V  
Requires 4" x 2-1/8"D octagon junction box

## AVAILABLE FINISHES

Glass - clear crystal, clear crystal with iridescence  
Metal - oil rubbed blackened steel, light oil rubbed blackened steel, burnished silver, brushed silver, brushed brass

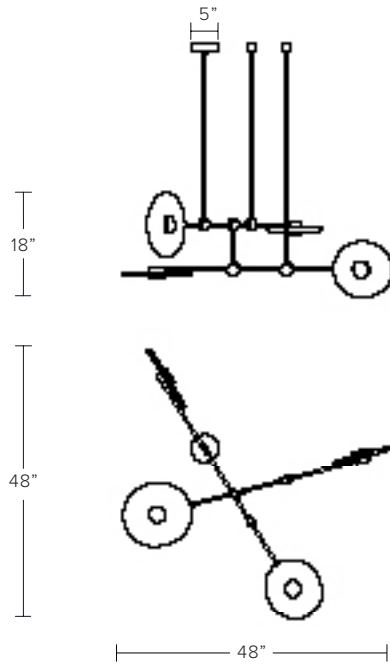
## ADDITIONAL NOTES

Lead time is 8-10 weeks. This fixture has minimum OAD requirements - please contact us for additional information.

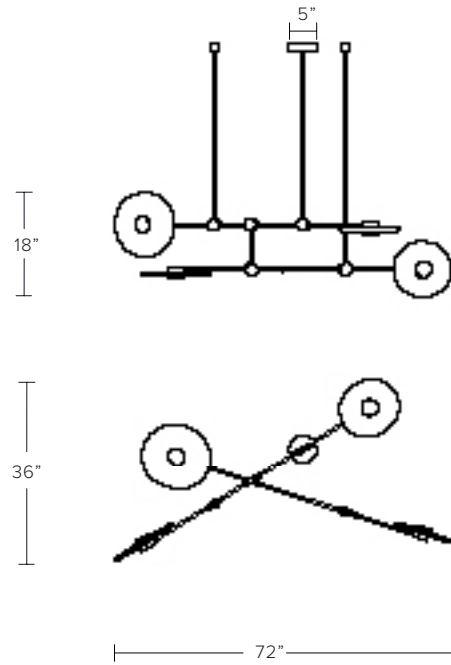
UL listed



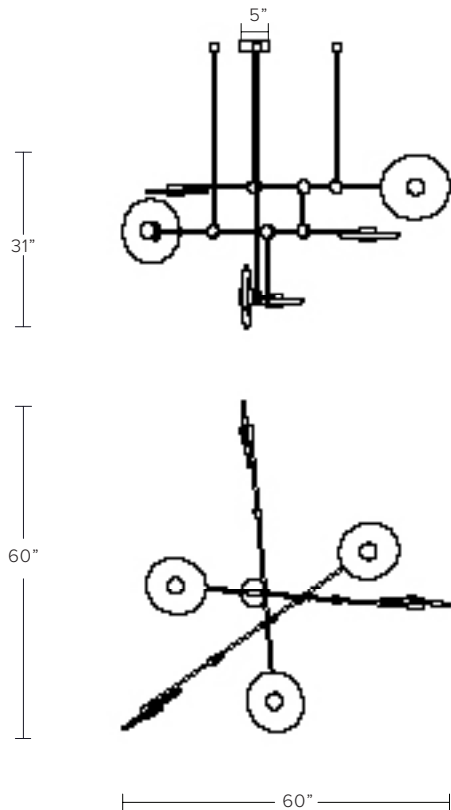
4 PIECE, 2 TIER 48"W X 48"D X 18"H



4 PIECE, 2 TIER 72"W X 36"D X 18"H



6 PIECE, 3 TIER 60"W X 60"D X 31"H



6 PIECE, 3 TIER 84"W X 48"D X 31"H

